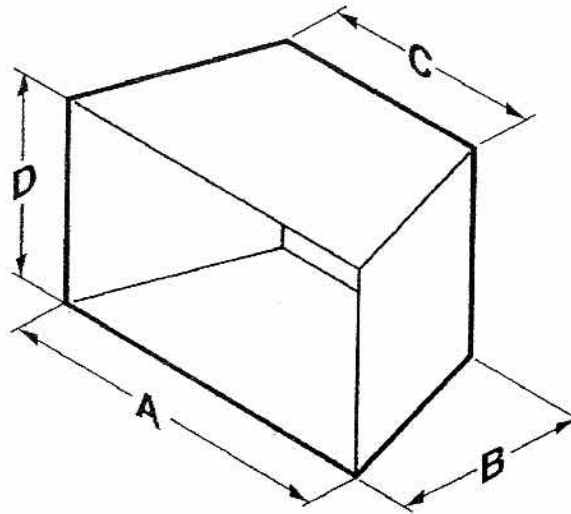


## *Sizing Gas Logs*

*In order to properly size your gas log set we need some basic information about your fireplace.*

- 1. We need to establish the size of your firebox. The firebox holds the log set. We need the following measurements: (A) width across the front opening; (B) depth at the center of the firebox; (C) width across the back wall; (D) height from the floor of the firebox to the top.*
- 2. Vented gas logs can be turned on or off manually, with a pilot assembly, or with a remote or millivolt control. If you are purchasing vented gas logs discuss these options with our Sales Associates. These controls may also effect proper sizing.*

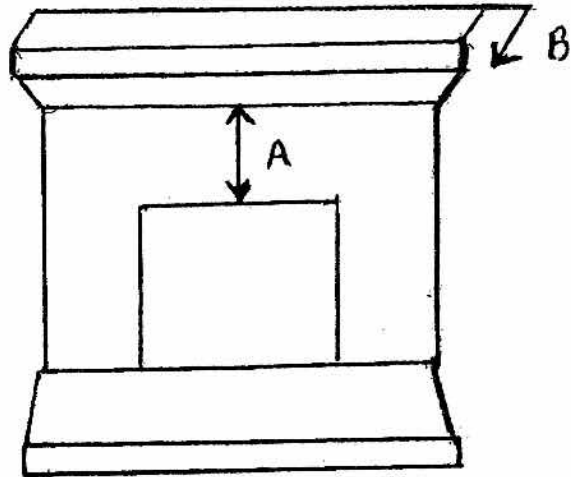


*If you are purchasing vent-free gas logs you may require a hood which will be installed at the top of the firebox. A hood assembly or "canopy" is used to project heat out and away from a combustible surface such as a wood mantel.*

- 1. Measure from the top of the firebox to the bottom of the first combustible surface. If the mantel is a decorative style you may need to measure from the top of the firebox to the first combustible surface and then again from the top of the firebox to the highest point of the mantel.*
- 2. Measure the depth of the mantel at the lowest and highest points.*

(A) Measure from the top of the firebox to the first combustible surface.

(B) Measure the depth of your mantel.



As noted on page 2, hood assemblies are used to ensure that gas logs are safely installed. If purchasing vent-free gas logs please refer to Page 4 entitled "Clearances and Height Requirements".

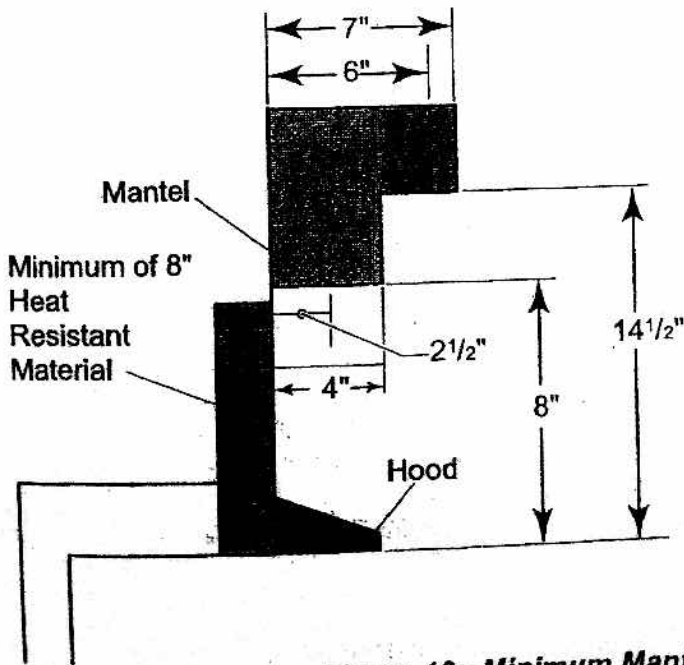


Figure 10 is an example of an unsafe mantel installation. This mantel projects 4" at 8" above the opening, exceeding the maximum acceptable distance of 2 1/2". The mantel also projects 7" at 14 1/2" above the opening, exceeding the maximum acceptable distance of 6".

If your mantel profile is unsafe, you may either:

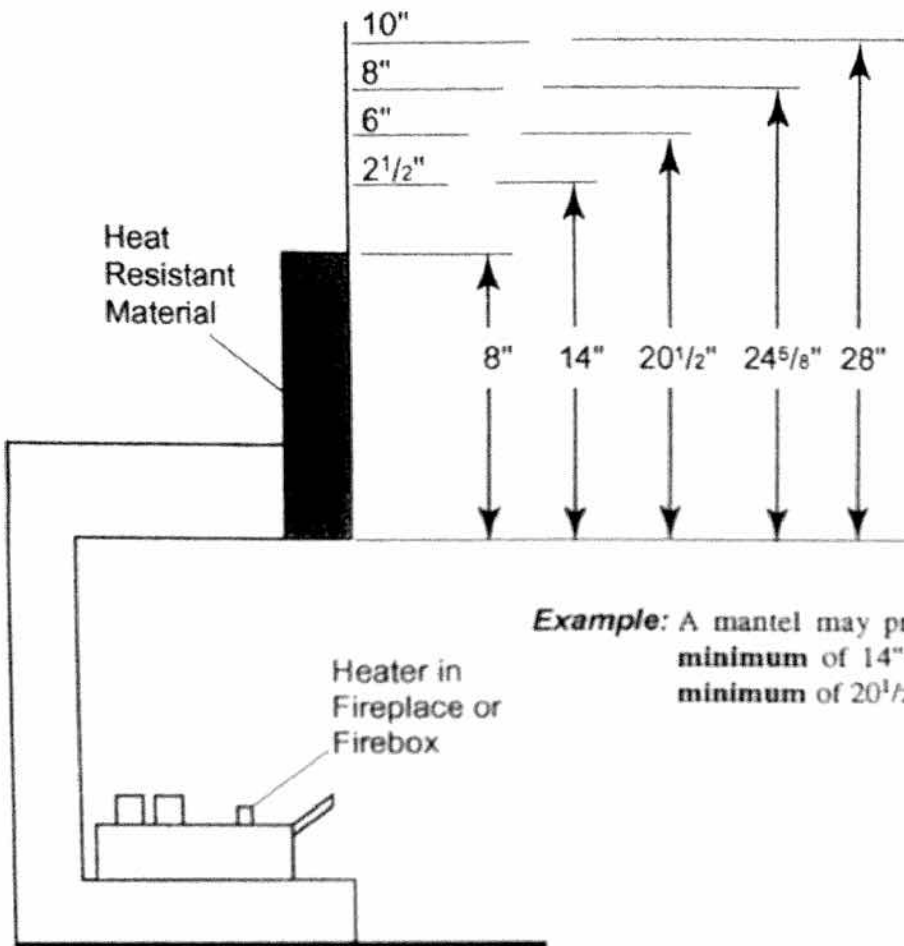
- Raise the mantel to an acceptable height

**OR**

- Remove the mantel

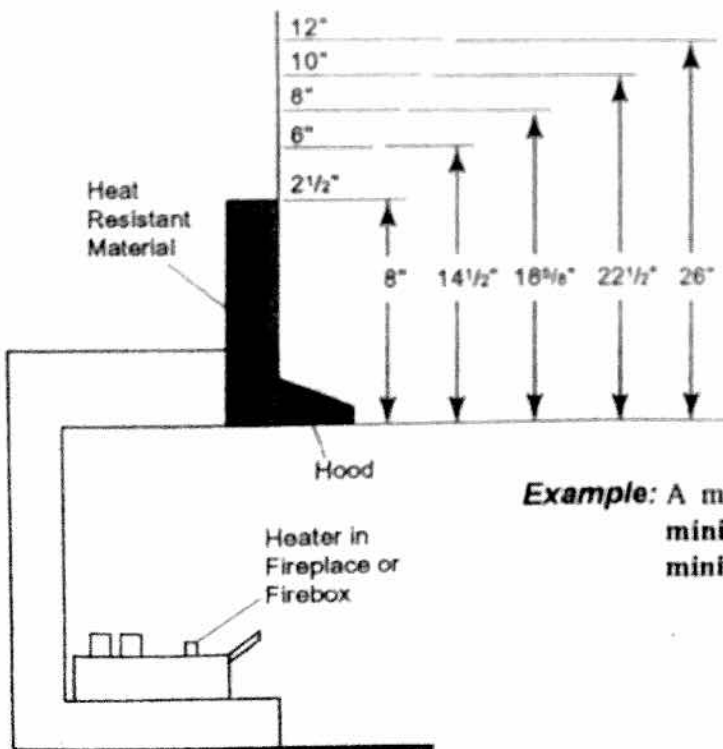
**Figure 10 - Minimum Mantel Clearance with Hood - TPB24/30  
(Example of Unsafe Installation)**

# CLEARANCES AND HEIGHT REQUIREMENTS



**Example:** A mantel may project from the wall a **maximum** of 2 1/2" at a **minimum** of 14" above the opening, and a maximum of 6" at a **minimum** of 20 1/2" above the opening.

Figure 7 - Minimum Mantel Clearance with No Hood - DEB20



**Example:** A mantel may project from the wall a **maximum** of 2 1/2" at a **minimum** of 8" above the opening, and a maximum of 6" at a **minimum** of 14 1/2" above the opening.

Figure 8 - Minimum Mantel Clearance with Hood - All Models